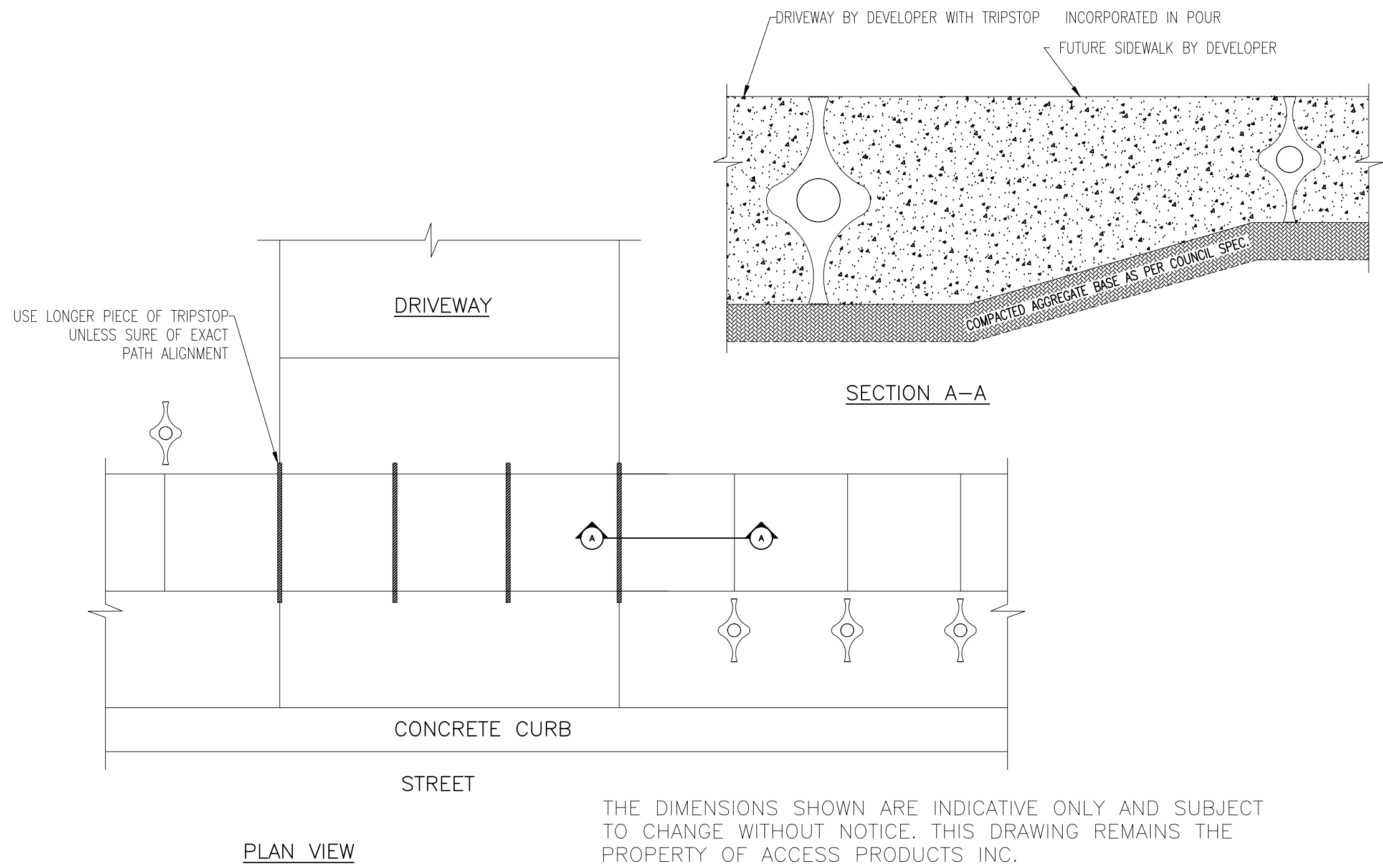


TRIPSTOP DRIVE WAY TO SIDEWALK TRANSITION

www.AccessProducts.com 888-679-4022



www.AccessProducts.com

Access Products Inc

© Access Products Inc. ACCESS, ACCESS TILE, ACCESS AND THE THREE AND TWO DIMENSIONAL DESIGNS ON THE TILE BETWEEN BARS AND ON BARS ARE TRADEMARKS OF ENGINEERED SYSTEMS INC. PATENTS PENDING IN THE UNITED STATES, CANADA AND INTERNATIONALLY MANUFACTURED AND DISTRIBUTED UNDER LICENSE BY ACCESS WORLD PRODUCTS INCORPORATED www.accesstile.com
 © KENNETH E. SZEKELY

| MATERIAL LIST | | | |
|---------------|-------------|----------|-----|
| ITEM | DESCRIPTION | PART NO. | QTY |
| | | | |
| | | | |
| | | | |

| REFERENCE DRAWINGS | |
|--------------------|-------------|
| DWG. NO. | DESCRIPTION |
| | |
| | |
| | |
| | |

| No. | DATE | REVISION | APPR. |
|-----|------|----------|-------|
| | | | |
| | | | |

TRIPSTOP
Articulating Sidewalk Joint System

SCALE AS NOTED

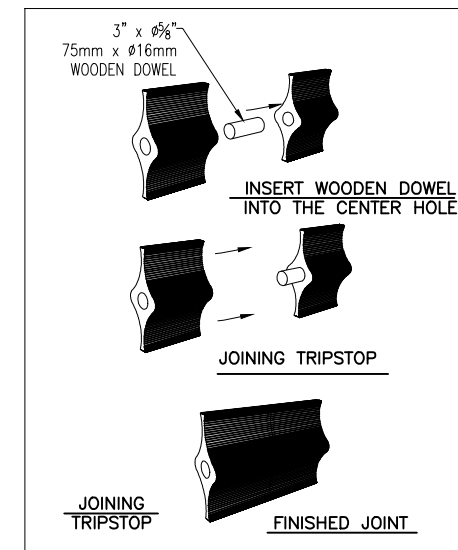
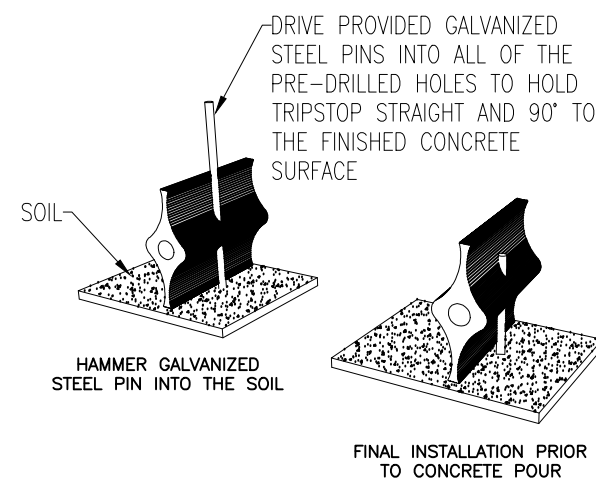
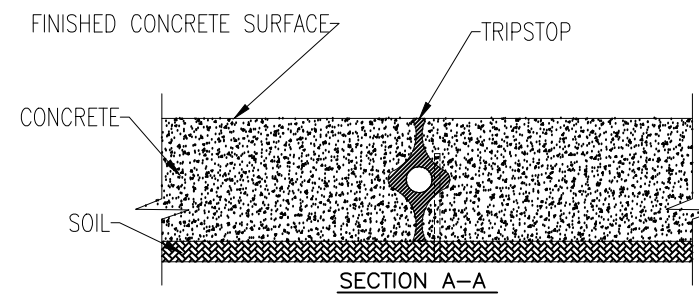
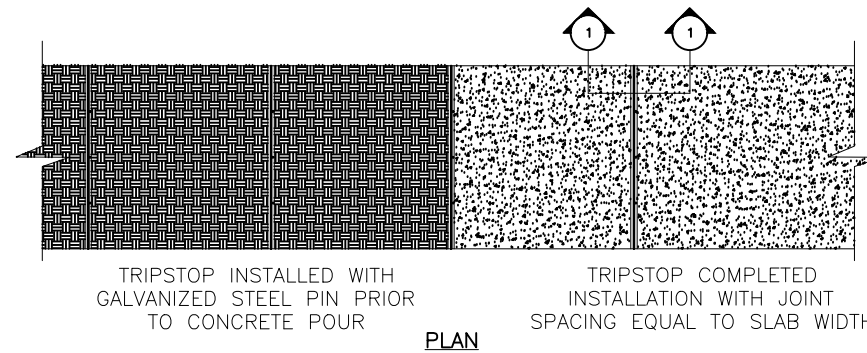
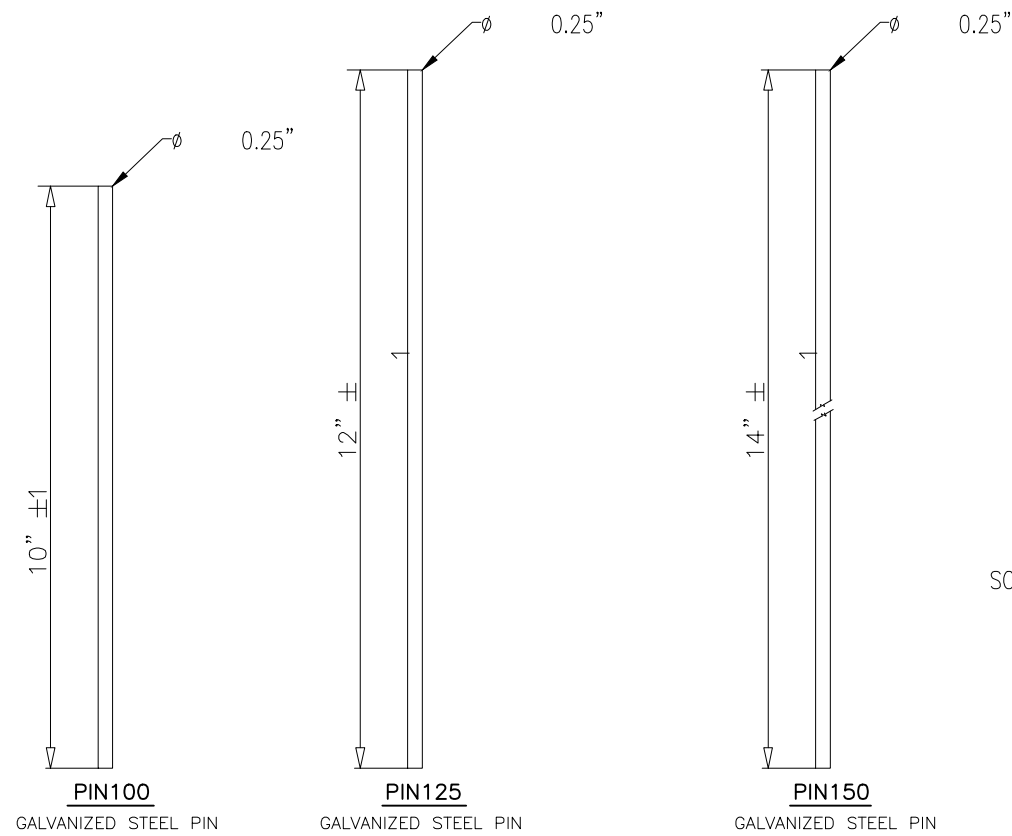
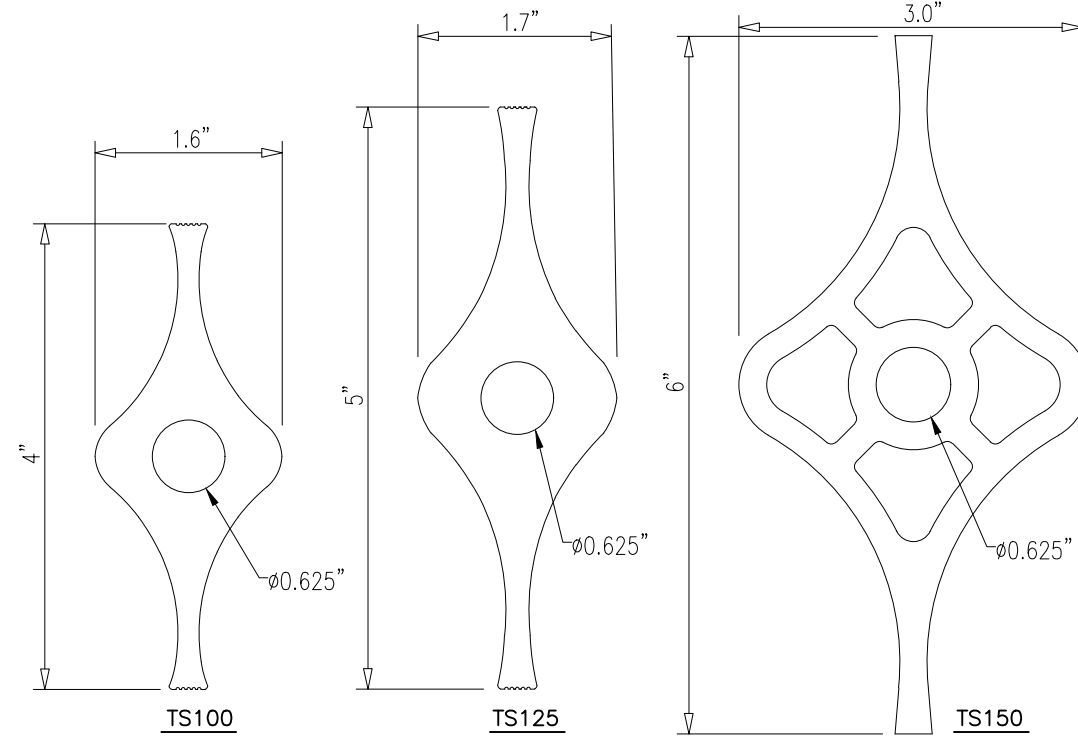
| | | | |
|----------|-----|------|-------|
| DESIGNED | KES | DATE | 02/17 |
| DRAWN | MT | | 02/17 |
| CHECKED | KES | | 02/17 |

| | |
|-----------------|--|
| PROJECT MANAGER | |
| TRADE | PART NO. |
| MATERIAL | POLYMER COMPOSITE |
| SUBJECT | ACCESS PRODUCTS® |
| PROJECT | ACCESS PRODUCTS® DRIVEWAY TO SIDEWALK TRANSITION |

| | | | |
|-------------|---------|----------|---|
| DRAWING NO. | TS DF01 | REV. NO. | 0 |
|-------------|---------|----------|---|

TRIPSTOP TREE & SOIL SOLUTION

www.AccessProducts.com 888-679-4022



www.AccessProducts.com

Access Products Inc

© Access Products Inc.
ACCESS, ACCESS TILE, ACCESS AND THE THREE AND TWO DIMENSIONAL DESIGNS ON THE TILE BETWEEN BARS AND ON BARS ARE TRADEMARKS OF ENGINEERED SYSTEMS INC.
PATENTS PENDING IN THE UNITED STATES, CANADA AND INTERNATIONALLY
MANUFACTURED AND DISTRIBUTED UNDER LICENSE BY ACCESS WORLD PRODUCTS INCORPORATED
www.accesstile.com
KENNETH E. SZEKELY

MATERIAL LIST

| ITEM | DESCRIPTION | PART NO. | QTY |
|------|-------------|----------|-----|
| | | | |
| | | | |
| | | | |

REFERENCE DRAWINGS

| DWG. NO. | DESCRIPTION |
|----------|-------------|
| | |
| | |
| | |
| | |

| No. | DATE | REVISION | APPR. |
|-----|------|----------|-------|
| | | | |



SCALE AS NOTED

| | | | |
|----------|-----|------|-------|
| DESIGNED | KES | DATE | 02/17 |
| DRAWN | MT | | 02/17 |
| CHECKED | KES | | 02/17 |

| | |
|-----------------|----------------------------|
| PROJECT MANAGER | |
| TRADE | PART NO. SEE MATERIAL LIST |

MATERIAL POLYMER COMPOSITE

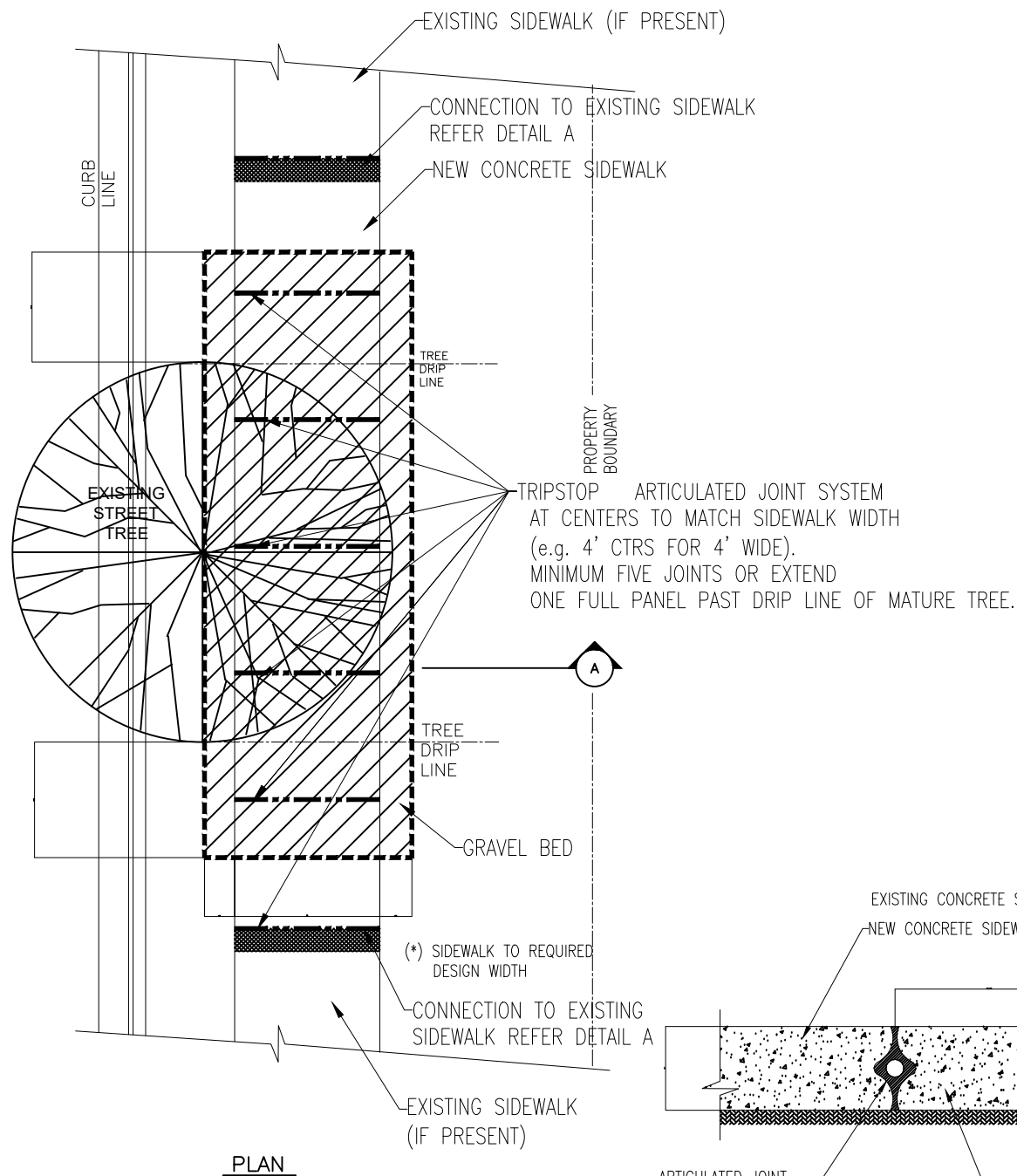
SUBJECT
ACCESS PRODUCTS®

PROJECT
ACCESS PRODUCTS®
TREE AND SOIL SOLUTION

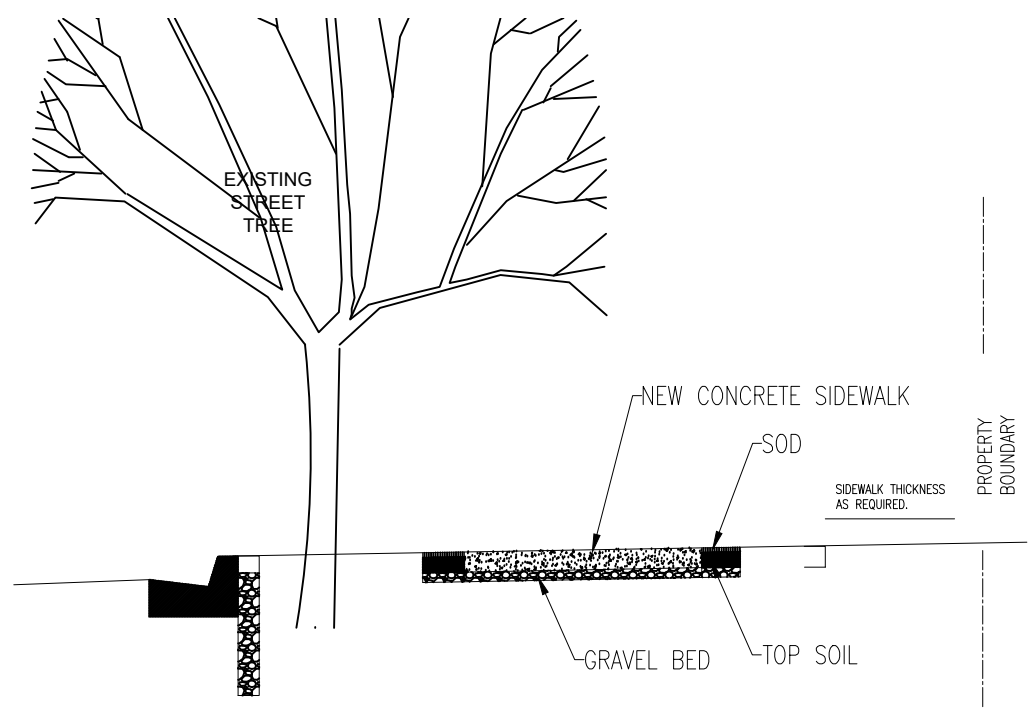
| | | | |
|-------------|-------|----------|---|
| DRAWING NO. | TS IG | REV. NO. | 0 |
|-------------|-------|----------|---|

TRIPSTOP TREE & SOIL SOLUTION

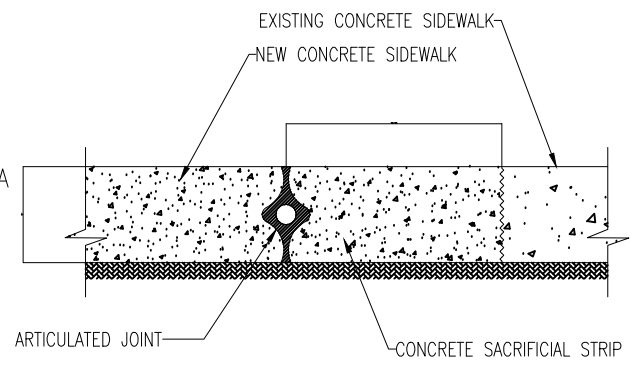
www.AccessProducts.com 888-679-4022



PLAN



- NOTE:
1. FOR DETERMINATION OF SITES FOR THE USE OF THE TRIPSTOP™ ARTICULATED JOINT SYSTEM, REFER TO "GUIDELINES FOR THE USE OF ARTICULATED SYSTEMS FOR CONCRETE SIDEWALK".
 2. GRAVEL BED TO EXTEND MINIMUM 3'-0" PAST DRIP-LINE OF TREE AND MINIMUM 8" EITHER SIDE OF SIDEWALK. GRAVEL BED INSTALLED TO ALLOW EASE OF ROOT TRAVEL BELOW CONCRETE SIDEWALK.
 3. TRIPSTOP ARTICULATED JOINT SYSTEM 48" AT CENTERS TO MATCH SIDEWALK WIDTH (e.g. 4' c/c FOR 4' WIDE SIDEWALK). MINIMUM FIVE JOINTS OR EXTEND ONE FULL PANEL PAST DRIP-LINE OF MATURE TREE.
 4. FOR LOCATIONS WITH EXISTING STREET TREES, ARBORIST TO BE CONSULTED TO CHECK ROOT SYSTEM BEFORE INSTALLATION OF SIDEWALK. ROOT TRIMMING OR PRUNING IS ONLY TO BE CONSIDERED AS A LAST OPTION.
 5. MATERIAL FOR GRAVEL BED TO BE AS SPECIFIED.
 6. REFER www.tripstop.us FOR SUPPLIER LOCATIONS AND INSTALLATION REQUIREMENTS.



NOTE:
HEIGHT OF ARTICULATED JOINT TO MATCH SIDEWALK THICKNESS 'T'

DETAIL A

PREFERRED CONNECTION TO EXISTING PATH TO ALLOW FUTURE EXPANSION OF ARTICULATED JOINT SYSTEM

| www.AccessProducts.com | | | |
|--|----------------------------|----------|-------|
| Access Products Inc | | | |
| <small>© Access Products Inc. ACCESS, ACCESS TILE, ACCESS AND THE THREE AND TWO DIMENSIONAL DESIGNS ON THE TILE BETWEEN BARS AND ON BARS ARE TRADEMARKS OF ENGINEERED SYSTEMS INC. PATENTS PENDING IN THE UNITED STATES, CANADA AND INTERNATIONALLY MANUFACTURED AND DISTRIBUTED UNDER LICENSE BY ACCESS WORLD PRODUCTS INCORPORATED www.accesstile.com</small> <small>① KENNETH E. SZEKELY</small> | | | |
| MATERIAL LIST | | | |
| ITEM | DESCRIPTION | PART NO. | QTY |
| | | | |
| | | | |
| | | | |
| REFERENCE DRAWINGS | | | |
| DWG. NO. | DESCRIPTION | | |
| | | | |
| | | | |
| | | | |
| | | | |
| | | | |
| | | | |
| | | | |
| | | | |
| | | | |
| | | | |
| | | | |
| | | | |
| | | | |
| No. | DATE | REVISION | APPR. |
| | | | |
| | | | |
| SCALE AS NOTED | | | |
| DESIGNED | KES | DATE | 02/17 |
| DRAWN | MT | | 02/17 |
| CHECKED | KES | | 02/17 |
| PROJECT MANAGER | | | |
| TRADE | PART NO. SEE MATERIAL LIST | | |
| MATERIAL | POLYMER COMPOSITE | | |
| SUBJECT | | | |
| ACCESS PRODUCTS® | | | |
| PROJECT | | | |
| ACCESS PRODUCTS® | | | |
| TREE AND SOIL SOLUTION | | | |
| DRAWING NO. | | REV. NO. | |
| TS IG | | 0 | |